

TECHNICAL SPECIFICATIONS

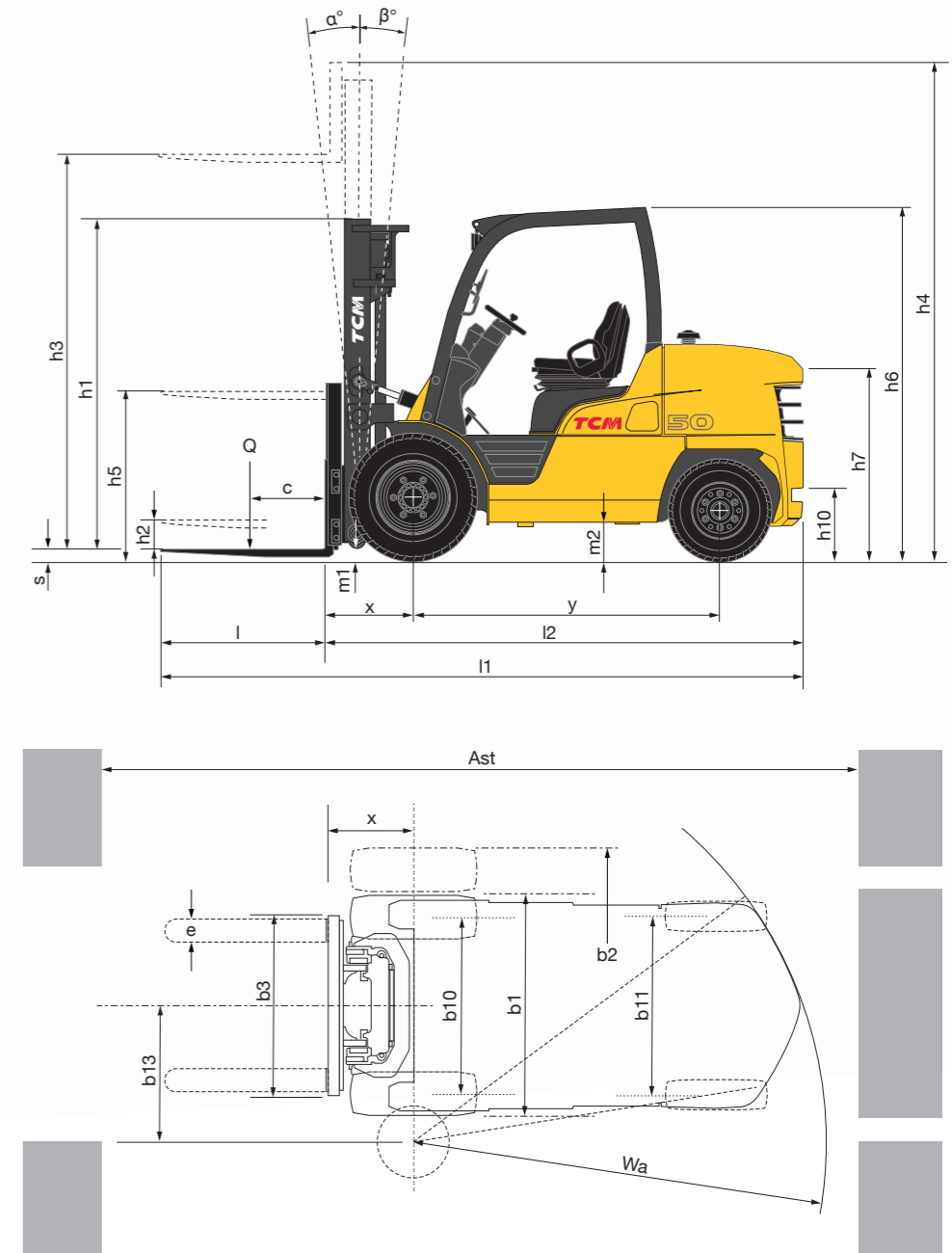
FD/FGE40-55(C)-E2



STANDARD SPECIFICATIONS

CHARACTERISTICS			TCM Forklifts												
1.01	Manufacturer														
1.02	Manufacturer's model designation		FD40-E2	FD45-E2	FD50C-E2	FD50-E2	FD55-E2	FGE40-E2	FGE45-E2	FGE50C-E2	FGE50-E2	FGE55-E2			
1.03	Power source: (battery, diesel, LPG, petrol)		Diesel	Diesel	Diesel	Diesel	Diesel	LPG	LPG	LPG	LPG	LPG			
1.04	Operator type: pedestrian, standing, seated		Seated	Seated	Seated	Seated	Seated	Seated	Seated	Seated	Seated	Seated			
1.05	Load capacity	Q (kg)	4000	4500	5000	5000	5500	4000	4500	5000	5000	5500			
1.06	Load centre distance	c (mm)	500	500	500	600	600	500	500	500	600	600			
1.08	Load distance, axle to fork face	x (mm)	577	577	582	602	602	577	577	582	602	602			
1.09	Wheelbase	y (mm)	1850	2000	2000	2150	2150	1850	2000	2000	2150	2150			
WEIGHT															
2.01	Truck weight, without load / including battery (simplex mast, lowest lift height)		kg	5920	6330	6850	7300	7640	5860	6270	6780	7240	7570		
2.02	Axle loading with maximum load, front/rear (simplex mast, lowest lift height)		kg	8960/960	9710/1130	10600/1250	11020/1280	11740/1400	8940/920	9680/1090	10570/1210	10990/1250	11710/1360		
2.03	Axle loading without load, front/rear (simplex mast, lowest lift height)		kg	2630/3290	2780/3550	2900/3950	3220/4080	3170/4470	2610/3250	2750/3520	2870/3920	3190/4050	3130/4440		
WHEELS, DRIVE TRAIN															
3.01	Tyres: V=solid, L=pneumatic, SE=solid pneumatic - front/rear			L / L	L / L	L / L	L / L	SE / SE	L / L	L / L	L / L	L / L	SE / SE		
3.02	Tyre dimensions, front			8.25-15-14PR	300-15-18PR	300-15-18PR	300-15-18PR	300-15-8.00	8.25-15-14PR	300-15-18PR	300-15-18PR	300-15-18PR	300-15-8.00		
3.03	Tyre dimensions, rear			7.00-12-14PR	7.00-12-14PR	7.00-12-14PR	7.00-12-14PR	7.00-12/5,00	7.00-12/5,00	7.00-12-14PR	7.00-12-14PR	7.00-12-14PR	7.00-12/5,00		
3.05	Number of wheels, front/rear (x=driven)			2x / 2	2x / 2	2x / 2	2x / 2	2x / 2	2x / 2	2x / 2	2x / 2	2x / 2			
3.06	Track width (centre of tyres), front		b10 (mm)	1175	1175	1175	1175	1175	1175	1175	1175	1175			
3.07	Track width (centre of tyres), rear		b11 (mm)	1180	1180	1180	1180	1180	1180	1180	1180	1180			
DIMENSIONS															
4.01	Mast tilt, forwards/backwards		α/β °	6/12	6/12	6/12	6/12	6/12	6/12	6/12	6/12	6/12			
4.02	Height with mast lowered (see tables)		h1 (mm)	2320	2320	2400	2400	2400	2320	2320	2400	2400			
4.03	Free lift (see tables)		h2 (mm)	150	150	150	160	160	150	150	160	160			
4.04	Lift height (see tables)		h3 (mm)	3300	3300	3300	3300	3300	3300	3300	3300	3300			
4.05	Overall height with mast raised		h4 (mm)	4430	4430	4430	4580	4580	4430	4430	4430	4580			
4.07	Height to top of overhead guard		h6 (mm)	2295	2295	2295	2295	2295	2295	2295	2295	2295			
4.08	Seat height		h7 (mm)	1082	1082	1082	1082	1082	1082	1082	1082	1082			
4.12	Tow coupling height		h10 (mm)	395	395	395	395	395	395	395	395	395			
4.19	Overall length		l1 (mm)	4220	4350	4390	4350	4580	4220	4350	4390	4530	4580		
4.20	Length to fork face (includes fork thickness)		l2 (mm)	3000	3130	3170	3310	3360	3000	3130	3170	3310	3360		
4.21	Overall width		b1/b2 (mm)	1415/1965	1460/1965	1460/1965	1460/1965	1460/1965	1415/1965	1460/1965	1460/1965	1460/1965			
4.22	Fork dimensions (thickness, width, length)		s / e / l (mm)	50x150x1220	50x150x1220	50x150x1220	60x150x1220	60x150x1220	50x150x1220	50x150x1220	50x150x1220	60x150x1220			
4.23	Fork carriage			3A	3A	3A	4A	4A	3A	3A	3A	4A			
4.24	Fork carriage width		b3 (mm)	1190	1190	1190	1190	1190	1190	1190	1190	1190			
4.31	Ground clearance under mast, with load		m1 (mm)	150	150	150	150	150	150	150	150	150			
4.32	Ground clearance at center of wheelbase, with load (forks lowered)		m2 (mm)	227	227	227	227	227	227	227	227	227			
4.33	Working aisle width with 1000 x1200 mm pallets, crosswise		Ast (mm)	4357	4507	4542	4692	4742	4357	4507	4542	4692	4742		
4.34	Working aisle width with 800 x1200 mm pallets, crosswise		Ast (mm)	4157	4307	4342	4492	4542	4157	4307	4342	4492	4542		
4.34a	Working aisle width with 800 x1200 mm pallets, lengthwise		Ast (mm)	4557	4707	4742	4892	4942	4557	4707	4742	4892	4942		
4.35	Turning circle radius		Wa (mm)	2580	2730	2760	2890	2940	2580	2730	2760	2890	2940		
4.36	Minimum distance between centres of rotation		b13 (mm)	836	903	903	971	971	836	903	903	971	971		
PERFORMANCE															
5.01	Travel speed, with/without load		km/h	21,5/22,5	21,5/22,5	21/22	21/22	20,5/22	23/23,5	22,5/23,5	22,5/23,5	22/23	22/23		
5.02	Lifting speed, with/without load		m/s	0,62/0,67	0,62/0,67	0,54/0,58	0,53/0,57	0,53/0,57	0,67/0,69	0,67/0,69	0,58/0,59	0,57/0,59	0,53/0,59		
5.03	Lowering speed, with/without load		m/s	0,50/0,50	0,50/0,50	0,50/0,50	0,50/0,50	0,50/0,50	0,50/0,50	0,50/0,50	0,50/0,50	0,50/0,50	0,50/0,50		
5.05	Rated drawbar pull, with/without load		N	25800/18200	25500/19300	24900/20000	24800/21900	24500/22100	28700/17800	28400/19000	27800/19700	27700/21600	27500/21800		
5.07	Gradeability, with/without load		%	27,3/26,7	24,6/26,5	21,8/25,4	21/26,4	19,3/25,3	30,8/26,3	27,7/26,3	24,6/25,2	23,7/26,2	21,8/25		
5.10	Service brakes (mechanical/hydraulic/electric/pneumatic)			Hydraulic	Hydraulic	Hydraulic	Hydraulic	Hydraulic	Hydraulic	Hydraulic	Hydraulic	Hydraulic	Hydraulic		
IC ENGINE															
7.01	Manufacturer / Type			MHIET D04EG-T	MHIET D04EG-T	MHIET D04EG-T	MHIET D04EG-T	MHIET D04EG-T	GCT GK45	GCT GK45	GCT GK45	GCT GK45	GCT GK45		
7.02	Rated / Nominal output to ISO 1585**		kW	54	54	54	54	54	54	54	54	54	54		
7.03	Rated speed to DIN 70 020		rpm	2250	2250	2250	2250	2250	2450	2450	2450	2450	2450		
7.04	Number of cylinders / cubic capacity		cm³	04/3000	04/3000	04/3000	04/3000	04/3000	06/5000	06/5000	06/5000	06/5000	06/5000		
7.06	Max torque		Nm	260	260	260	260	260	279	279	279	279	279		
7.07	Max torque at engine speed		rpm	1800	1800	1800	1800	1800	1600	1600	1600	1600	1600		
MISCELLANEOUS															
8.01	Type of drive control			Powershift 2/1	Powershift 2/1	Powershift 2/1	Powershift 2/1	Powershift 2/1	Powershift 2/1	Powershift 2/1	Powershift 2/1	Powershift 2/1	Powershift 2/1		
8.02	Maximum operating pressure for attachments		bar	191	191	191	191	191	191	191	191	191	191		
8.03	Oil flow for attachments		l/min	80	80	80	80	80	80	80	80	80	80		
8.04	Noise level, value at operator's ear (EN 12053)		dB(A)	78.5	78.5	78.5	78.5	78.5	78.5	78.5	78.5	78.5	78.5		
8.05	Towing coupling design / DIN type, ref.			Pin	Pin	Pin	Pin	Pin	Pin	Pin	Pin	Pin	Pin		

DIMENSIONS FD/FGE40-55(C)-E2



MAST SPECIFICATIONS & RATED CAPACITIES

MAST TYPE	Max fork height (mm)	Overall mast height (mm)				Free lift (mm)		Mast Tilt (Degrees Fwd/Bwd)	FD40-E2							
		Lowered	Extended		With STD backrest	Without backrest	Load Capacity (kgs) @ load centre (mm)									
			With STD backrest	Without backrest			Single Tyres				Double Tyres					
							Pneumatic		Solid		Pneumatic		Solid			
							500		600	500	600	500	600	500	600	
SIMPLEX	3050	2170	4130	3930	150	150	6-12	4000	3500	4000	3500	4000	3500	4000	3500	
	3350	2320	4430	4230	150	150	6-12	4000	3500	4000	3500	4000	3500	4000	3500	
	3750	2520	4830	4630	150	150	6-12	4000	3500	4000	3500	4000	3500	4000	3500	
	4050	2700	5130	4930	150	150	6-12	4000	3500	4000	3500	4000	3500	4000	3500	
	4550	3000	5630	5430	150	150	6-6	4000	3500	4000	3500	4000	3500	4000	3500	
	5050	3250	6130	5930	150	150	6-6	3850	3500	4000	3500	3850	3500	4000	3500	
	5550	3500	6630	6430	150	150	6-6	3050	3050	3700	3500	3650	3400	3750	3500	
	6050	3750	7130	6930	150	150	6-6	2400	2400	3600	3400	3500	3300	3600	3400	
DUPLEX	3050	2170	4130	3950	1090	1270	6-12	4000	3500	4000	3500	4000	3500	4000	3500	
	3350	2320	4430	4250	1240	1420	6-12	4000	3500	4000	3500	4000	3500	4000	3500	
	3750	2520	4830	4650	1440	1620	6-12	4000	3500	4000	3500	4000	3500	4000	3500	
	4110	2700	5190	5010	1620	1800	6-12	4000	3500	4000	3500	4000	3500	4000	3500	
TRIPLEX	3750	1950	4830	4650	870	1050	6-6	4000	3500	4000	3500	4000	3500	4000	3500	
	4050	2050	5130	4950	970	1150	6-6	4000	3500	4000	3500	4000	3500	4000	3500	
	4410	2170	5490	5310	1090	1270	6-6	4000	3500	4000	3500	4000	3500	4000	3500	
	4750	2285	5830	5650	1200	1390	6-6	3900	3500	4000	3500	3900	3500	4000	3500	
	5100	2400	6180	6000	1320	1500	6-6	3800	3500	3900	3500	3850	3500	3900	3500	
	5550	2550	6630	6450	1470	1650	6-6	3050	3050	3700	3450	3600	3400	3700	3450	
	6050	2750	7130	6950	1670	1850	6-6	2400	2400	3550	3300	3450	3250	3550	3350	
	6550	2950	7630	7450	1870	2050	6-6	1900	1900	3350	3200	3000	3000	3400	3200	
7050	3150	8130	7950	2070	2250	6-6	1500	1500	2550	2550	2400	2400	3300	3100		

MAST TYPE	Max fork height (mm)	Overall mast height (mm)				Free lift (mm)		Mast Tilt (Degrees Fwd/Bwd)	FD50C-E2							
		Lowered	Extended		With STD backrest	Without backrest	Load Capacity (kgs) @ load centre (mm)									
			With STD backrest	Without backrest			Single Tyres				Double Tyres					
							Pneumatic		Solid		Pneumatic		Solid			
							500		600	500	600	500	600	500	600	
SIMPLEX	3060	2250	4130	3890	150	150	6-12	5000	4500	5000	4500	5000	4500	5000	4500	
	3350	2400	4430	4190	150	150	6-12	5000	4500	5000	4500	5000	4500	5000	4500	
	3750	2600	4830	4590	150	150	6-12	5000	4500	5000	4500	5000	4500	5000	4500	
	4050	2850	5130	4890	150	150	6-12	5000	4500	5000	4500	5000	4500	5000	4500	
	4550	3100	5630	5390	150	150	6-6	5000	4500	5000	4500	5000	4500	5000	4500	
	5050	3350	6130	5890	150	150	6-6	5000	4500	5000	4500	5000	4500	5000	4500	
	5550	3600	6630	6390	150	150	6-6	3600	3400	4850	4500	4750	4500	4850	4500	
	6050	3850	7130	6890	150	150	6-6	2700	2700	4700	4400	3900	3900	4700	4400	
DUPLEX	3020	2250	4100	3870	1170	1400	6-12	5000	4500	5000	4500	5000	4500	5000	4500	
	3330	2400	4410	4180	1320	1550	6-12	5000	4500	5000	4500	5000	4500	5000	4500	
	4130	2850	5210	4980	1770	2000	6-12	5000	4500	5000	4500	5000	4500	5000	4500	
TRIPLEX	3750	2050	4830	4610	970	1200	6-6	5000	4500	5000	4500	5000	4500	5000	4500	
	4090	2170	5170	4950	1090	1320	6-6	5000	4500	5000	4500	5000	4500	5000	4500	
	4360	2260	5440	5220	1180	1410	6-6	5000	4500	5000	4500	5000	4500	5000	4500	
	4800	2400	5880	5660	1320	1550	6-6	5000	4500	5000	4500	5000	4500	5000	4500	
	5100	2500	6180	5960	1420	1650	6-6	5000	4500	5000	4500	5000	4500	5000	4500	
	5550	2650	6630	6410	1570	1800	6-6	3600	3500	4800	4500	4700	4450	4850	4500	
	6050	2850	7130	6910	1770	2000	6-6	2700	2700	4600	4350	4200	4200	4650	4350	
	6550	3050	7630	7410	1970	2200	6-6	2100	2100	3600	3700	3000	3000	4450	4200	
7050	3250	8130	7910	2170	2400	6-6	1600	1600	2700	2700	2400	2400	3500	3500		

MAST TYPE	Max fork height (mm)	Overall mast height (mm)				Free lift (mm)		Mast Tilt (Degrees Fwd/Bwd)	FD45-E2							
		Lowered	Extended		With STD backrest	Without backrest	Load Capacity (kgs) @ load centre (mm)									
			With STD backrest	Without backrest			Single Tyres				Double Tyres					
							Pneumatic		Solid		Pneumatic		Solid			
							500		600	500	600	500	600	500	600	
SIMPLEX 2SP	3050	2170	4130	3930	150	150	6-12	4500	4000	4500	4000	4500	4000	4500	4000	
	3350	2320	4430	4230	150	150	6-12	4500	4000	4500	4000	4500	4000	4500	4000	
	3750	2520	4830	4630	150	150	6-12	4500	4000	4500	4000	4500	4000	4500	4000	
	4050	2700	5130	4930	150	150	6-12	4500	4000	4500	4000	4500	4000	4500	4000	
	4550	3000	5630	5430	150	150	6-6	4500	4000	4500	4000	4500	4000	4500	4000	
	5050	3250	6130	5930	150	150	6-6	4500	4000	4500	4000	4500	4000	4500	4000	
	5550	3500	6630	6430	150	150	6-6	3600	3400	4400	4000	4300	4000	4400	4000	
	6050	3750	7130	6930	150	150	6-6	2700	2700	4250	3900	3900	4250	3900	3900	
DUPLEX 2FP	3050	2170	4130	3950	1090	1270	6-12	4500	4000	4500	4000	4500	4000	4500	4000	
	3350	2320	4430	4250	1240	1420	6-12	4500	4000	4500	4000	4500	4000	4500	4000	
	3750	2520	4830	4650	1440	1620	6-12	4500	4000	4500	4000	4500	4000	4500	4000	
	4110	2700	5190	5010	1620	1800	6-12	4500	4000	4500	4000	4500	4000	4500	4000	
TRIPLEX 3FP	3750	1950	4830	4650	870	1050	6-6	4500	4000	4500	4000	4500	4000	4500	4000	
	4050	2050	5130	4950	970	1150	6-6	4500	4000	4500	4000	4500	4000	4500	4000	
	4410	2170	5490	5310	1090	1270	6-6	4500	4000	4500	4000	4500	4000	4500	4000	
	4750	2285	5830	5650	1200	1390	6-6	4500	4000	4500	4000	4500	4000	4500	4000	
	5100	2400	6180	6000	1320	1500	6-6	4500	4000	4500	4000	4500	4000	4500	4000	
	5550	2550	6630	6450	1470	1650	6-6	3600	3500	4350	4000	4200	4000	4350	4000	
	6050	2750	7130	6950	1670	1850	6-6	2700	2700	4200	3900	4050	3800	4200	3900	
	6550	2950	7630	7450	1870	2050	6-6	2100	2100	3600	3700	3000	3000	4050	3800	
7050	3150	8130	7950	2070	2250	6-6	1600	1600	2700	2700	2400	2400	3500	3500		

MAST TYPE	Max fork height (mm)	Overall mast height (mm)				Free lift (mm)		Mast Tilt (Degrees Fwd/Bwd)	FD50-E2							
		Lowered	Extended		With STD backrest	Without backrest	Load Capacity (kgs) @ load centre (mm)									
			With STD backrest	Without backrest			Single Tyres				Double Tyres					
							Pneumatic		Solid		Pneumatic		Solid			
							500		600	500	600	500	600	500	600	
SIMPLEX	3060	2250	4280	4030	160	160	6-12	NA	5000	NA	5000	NA	5000	NA	5000	
	3360	2400	4580	4330	160	160	6-12	NA	5000	NA	5000	NA	5000	NA	5000	
	3760	2600	4980	4730	160	160	6-12	NA	5000	NA	5000	NA	5000	NA	5000	
	4060	2850	5280	5030	160	160	6-12	NA	5000	NA	5000	NA	5000	NA	5000	
	4560	3100	5780	5530	160	160	6-6	NA	5000	NA	5000	NA	5000	NA	5000	
	5060	3350	6280	6030	160	160	6-6	NA	5000	NA	5000	NA	5000	NA	5000	
	5560	3600	6780	6530	160	160	6-6	NA	3400	NA	5000	NA	4900	NA	5000	
	6060	3850	7280	7030	160	160	6-6	NA	2700	NA	4900	NA	4100	NA	4900	
DUPLEX	3030	2250	4250	4000	1030	1280	6-12	NA	5000	NA	5000	NA	5000	NA	5000	
	3340	2400	4560	4310	1180	1430	6-12	NA	5000	NA	5000	NA	5000	NA	5000	
	4140	2850	5360	5110	1630	1880	6-12	NA	5000	NA	5000	NA	5000	NA	5000	
TRIPLEX	3760	2050	4980	4740	830	1080	6-6	NA	5000	NA	5000	NA	5000	NA	5000	
	4100	2170	5320	5080	950	1200	6-6	NA	5000	NA	5000	NA	5000	NA	5000	
	4370	2260	5590	5350	1040	1290	6-6	NA	5000	NA	5000	NA	5000	NA	5000	
	4810	2400	6030	5790	1180	1430	6-6	NA	5000	NA	5000	NA	5000	NA	5000	
	5110	2500	6330	6090	1280											

FD/FGE40-55(C)-E2

	FD40-45-E2	FD50(C)-E2	FD50-E2	FD55-E2	FGE40-45-E2	FGE50(C)-E2	FGE50-E2	FGE55-E2
	Diesel				LPG			
GENERAL								
Dust proof kit	○	○	○	○	○	○	○	○
Line filter for torque converter	○	○	○	○	○	○	○	○
LPG bracket removed	-	-	-	-	○	○	○	○
Rear axle under guard	○	○	○	○	○	○	○	○
Tilt cylinder boot kit	○	○	○	○	○	○	○	○
Lifting eyes mounted on counter weight	○	○	○	○	-	-	-	-
Belly plate (under cover)	○	○	○	○	●	●	●	●
Dust proof strainer	○	○	○	○	○	○	○	○
Hydraulic oil cooler	○	○	○	○	○	○	○	○
HYDRAULIC								
3-Way control valve MC	●	●	●	●	●	●	●	●
3-Way control valve FC	○	○	○	○	○	○	○	○
4-Way control valve MC	○	○	○	○	○	○	○	○
5-Way control valve FC	○	○	○	○	○	○	○	○
MAST, FORKS AND CARRIAGE								
Loose mast	○	○	○	○	○	○	○	○
Lifting eye for mast	○	○	○	○	○	○	○	○
Uninstalled mast	○	○	○	○	○	○	○	○
Side shifter 1190 mm	○	○	○	○	○	○	○	○
Side shifter 1500 mm* (*Note: Requires Carriage 1500mm)	○	○	○	○	○	○	○	○
Integral side shifter 1190 mm	○	○	○	○	○	○	○	○
Fork deletion	○	○	○	○	○	○	○	○
ELECTRICAL								
Backup handle with horn button	●	●	●	●	●	●	●	●
Electric diesel control (Diesel)	●	●	●	●	-	-	-	-
Speed control system (LPG)	-	-	-	-	○	○	○	○
Indicator kit	○	○	○	○	○	○	○	○
LED light set	●	●	●	●	●	●	●	●
LED rear work light	○	○	○	○	○	○	○	○
Load weight indicator (for simplex & triplex masts)	●	●	●	●	●	●	●	●
Rotating beacon (orange)	○	○	○	○	○	○	○	○
Strobe light (orange)	○	○	○	○	○	○	○	○
FNR switch on adjustable armrest* (*Standard on FC models)	●	●	●	●	●	●	●	●
OHG AND CABIN								
Grammer MSG 65 Vinyl seat	●	●	●	●	●	●	●	●
Grammer MSG 65 Cloth seat	○	○	○	○	○	○	○	○
Armrest LH side (for FC models)	●	●	●	●	●	●	●	●
Armrest LH side (for MC models)	●	●	●	●	●	●	●	●
Armrest RH side (for FC models)	-	-	-	-	-	-	-	-
Armrest RH side (for MC models)	●	●	●	●	●	●	●	●
Rear view mirrors (not available with Delux Cabin)	○	○	○	○	○	○	○	○
Convenience tray (*Only for MC models)	●	●	●	●	●	●	●	●
Deluxe Cabin	○	○	○	○	○	○	○	○
TYRES								
Solid pneumatic tyres	○	○	○	●	○	○	○	●
Pneumatic tyres	●	●	●	-	●	●	●	-
Solid pneumatic dual drive tyres	○	○	○	○	○	○	○	○
Pneumatic dual drive tyres	○	○	○	-	○	○	○	-
ENVIRONMENT								
Single element air cleaner	-	-	-	-	●	●	●	●
Double element air cleaner	●	●	●	●	○	○	○	○
Elevated exhaust	○	○	○	○	○	○	○	○

Contact your dealer for additional standard and optional equipment.

KEY ● Standard ○ Option - Not available



tcm.eu

© 2026 Logisnext Europe B.V. All rights reserved. Specifications are indicative and may vary depending on operating conditions. Failure to assess all factors may result in performance deviations. All relevant sales support materials and technical expertise of the official distributor must be considered when identifying the best product/solution. Options and technical details may change without notice. See full legal notices and up-to-date product information at www.tcm.eu CEST2559-0426