

TECHNICAL SPECIFICATIONS

TV25



STANDARD SPECIFICATIONS

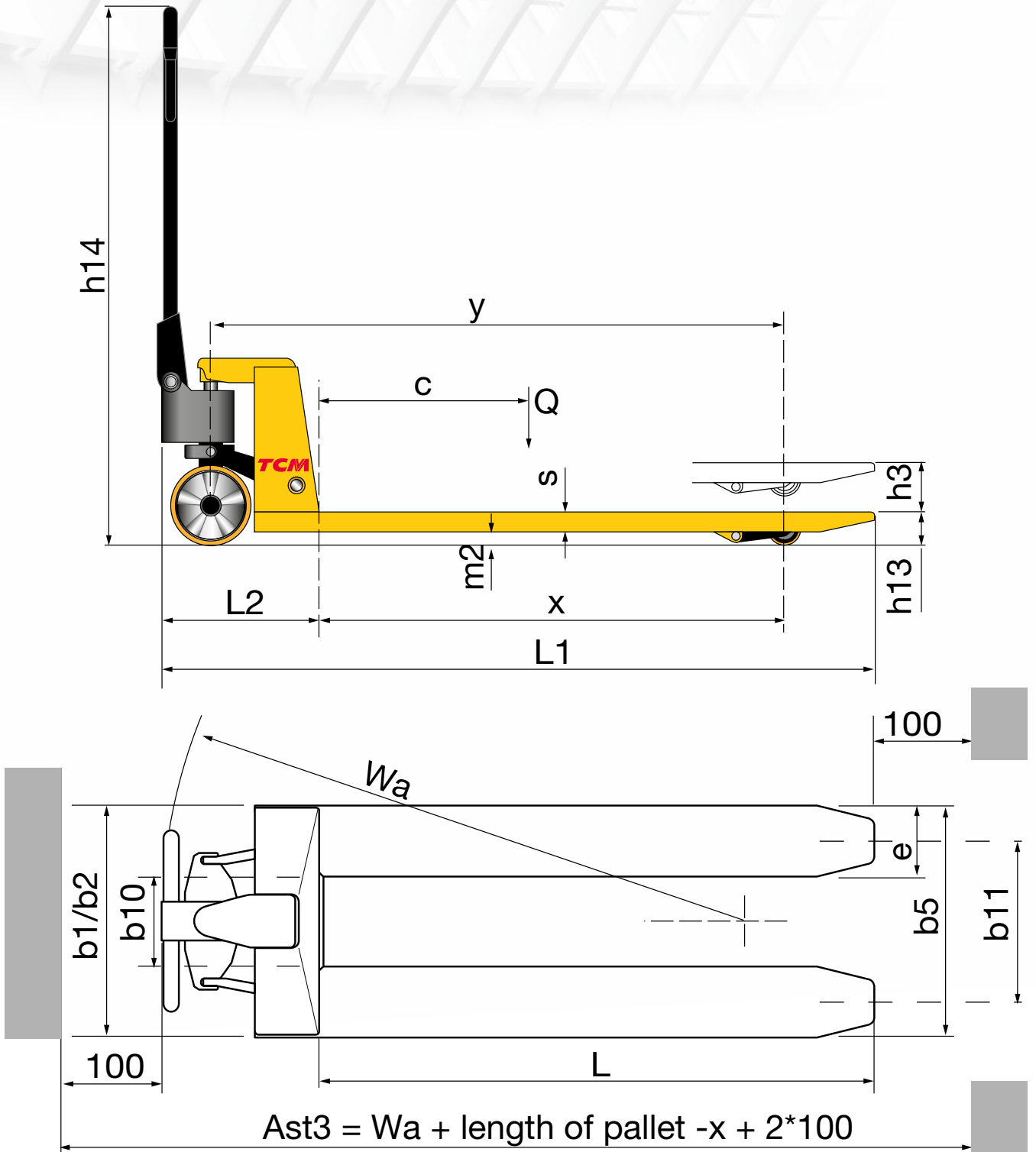
CHARACTERISTICS										
1.1	Manufacturer			TCM Forklifts						
1.2	Manufacturer's model designation			TV25MNTN	TV25MNSN	TV25MPSP	TV25MRTP	TV25MPTP	TV25IPTP	TV25IRTP
1.4	Operator type			Pedestrian	Pedestrian	Pedestrian	Pedestrian	Pedestrian	Pedestrian	Pedestrian
1.5	Load capacity	Q	(kg)	2500	2500	2500	2500	2500	2500	2500
1.6	Load centre distance	c	(mm)	600	600	600	600	600	550	550
1.8	Load wheel axle to fork face (forks lowered)	x	(mm)	45	45	45	45	45	45	45
1.9	Wheelbase	y	(mm)	1180	1180	1180	1180	1180	1036	1036
WEIGHT										
2.1	Truck weight without load, with maximum battery weight		kg	69	68	71	71	72	75	74
WHEELS, DRIVE TRAIN										
3.1	Tyres: PT = Power Thane, Vul = Vulkollan, P = Polyurethane, N = Nylon, R = Rubber drive / load side			NTN	NSN	PSP	RTP	PTP	PTP	RTP
3.2	Tyre dimensions, drive side		(mm)	200	200	200	200	200	180	180
3.3	Tyre dimensions, load side		(mm)	80	80	80	80	80	80	80
3.4	Castor wheel dimensions (diameter x width)		(mm)	2/4	2/2	2/2	2/4	2/4	2/4	2/4
3.6	Track width (centre of tyres), drive side	b10	(mm)	120	120	120	120	120	120	120
3.7	Track width (centre of tyres), load side	b11	(mm)	380	380	380	380	380	525	525
DIMENSIONS										
4.4	Lift height	h3	(mm)	115	115	115	115	115	115	115
4.9	Height of tiller arm / steering console (min/max)	h14	(mm)	680/1240	680/1240	680/1240	680/1240	680/1240	550/1220	550/1220
4.15	Fork height, fully lowered	h13	(mm)	85	85	85	85	85	85	85
4.19	Overall length	l1	(mm)	1545	1545	1545	1545	1545	1405	1405
4.20	Length to fork face	l2	(mm)	1150	1150	1150	1150	1150	1000	1000
4.21	Overall width	b1/b2	(mm)	540	540	540	540	540	685	685
4.22	Fork dimensions (thickness, width, length)	s / e / l	(mm)	50, 160 & 1150	50, 160 & 1150	50, 160 & 1150	50, 160 & 1150	50, 160 & 1150	50, 160 & 1000	50, 160 & 1000
4.25	Outside width over forks (minimum / maximum)	b5	(mm)	540	540	540	540	540	685	685
4.32	Ground clearance at centre of wheelbase, (forks lowered)	m2	(mm)	85	85	85	85	85	85	85
4.33b	Working aisle width (Ast3) with 1000 x 1200 mm pallets, load crosswise	Ast3	(mm)	2350	2350	2350	2350	2350	2200	2200
4.34b	Working aisle width (Ast3) with 800 x 1200 mm pallets, load lengthwise	Ast3	(mm)	N/A	N/A	N/A	N/A	N/A	N/A	N/A
4.35	Turning radius	Wa	(mm)	1380	1380	1380	1380	1380	1225	1225

FORK AND WHEEL CONFIGURATIONS

MODEL	FORK DIMENSIONS WXL (mm)	LOAD WHEELS (80mm)	DRIVE WHEEL (200mm*)
TV25MNTN	540 x 1150	4 x (Tandem) Nylon	2 x Nylon*
TV25MNSN		2 x (Single) Nylon	2 x Nylon*
TV25MPSP		2 x (Single) Polyurethane	2 x Polyurethane*
TV25MRTP		4 x (Tandem) Polyurethane	2 x Rubber*
TV25MPTP		4 x (Tandem) Polyurethane	2 x Polyurethane*
TV25IPTP (BF pump)	685 x 1000	4 x (Tandem) Polyurethane	2 x Polyurethane (180mm)
TV25IRTP (BF pump)	685 x 1000	4 x (Tandem) Polyurethane	2 x Rubber (180mm)

*Other configurations available on request.

DIMENSIONS



THE ECONOMICAL CHOICE FOR SHORT-DISTANCE TRANSPORTATION

Our Economy hand pallet truck comes equipped with all that is needed to provide good long-term performance at an inexpensive price.

With a load capacity of 2.5 tonnes, this durable hand pallet truck increases productivity and efficiency in warehouse and retail applications, providing you with the most economical choice for short-distance transportation.



ROUNDED FORK TIPS

fork tip rollers for easy pallet entry / exit

RISING FORKS

minimum height: 85mm
maximum height: 200mm

ERGONOMIC HANDLE

is designed for comfortable use for hands of all sizes and has a tough coating for long-lasting performance.

CONTROL LEVER

has three operating positions; raise, lower and neutral.

FOOT PEDAL RELEASE VALVE

INTEGRATED ACBF* PUMP

has heavy-duty construction for durability and features overload protection
* Only on 540 x 1150

DURABLE CHASSIS

is constructed from powder-coated heavy-gauge steel.

